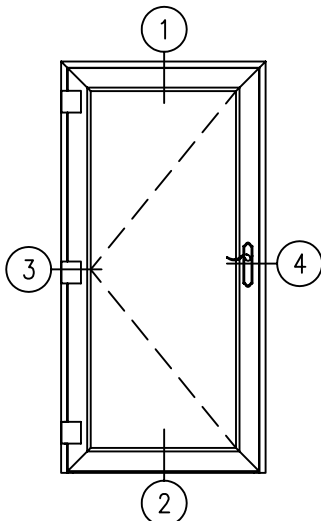
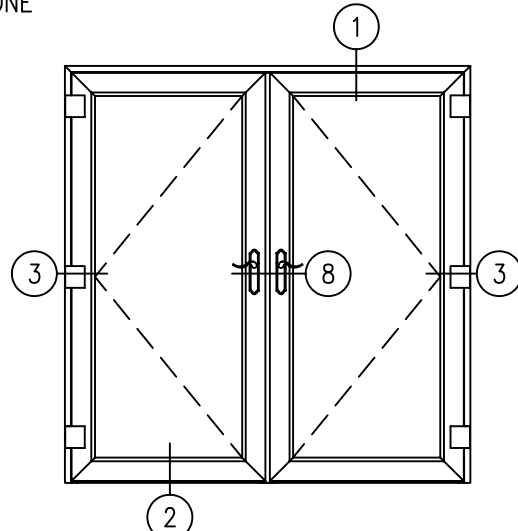


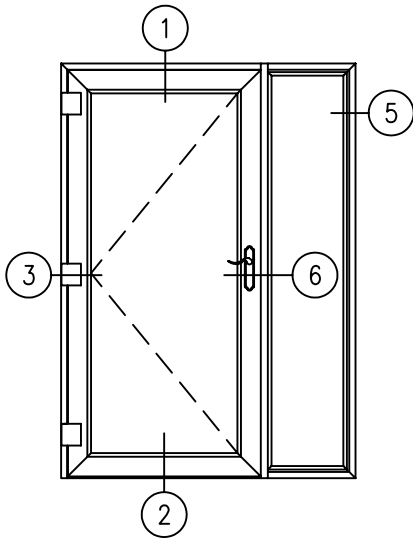
SCALE: NONE



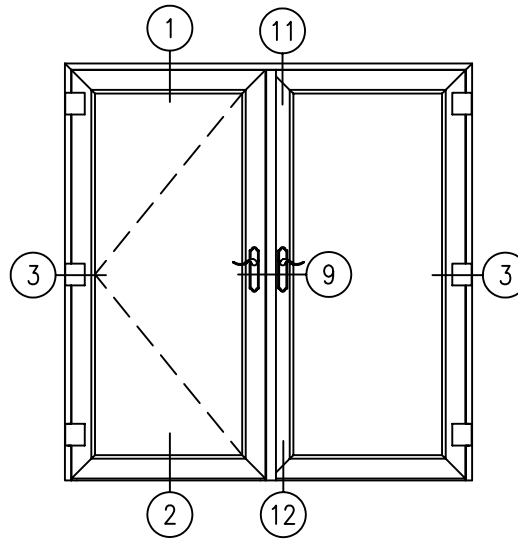
Door



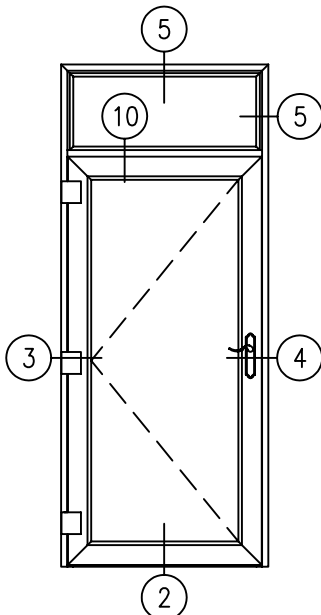
Double Door with Center Post



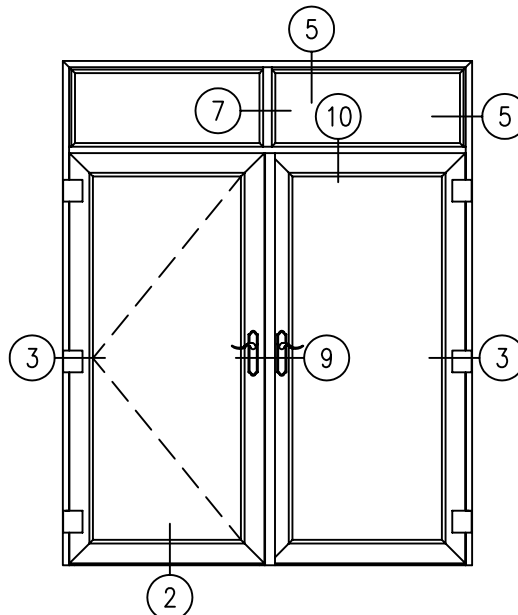
Door with Side-Lite



Door with Stationary Panel



Door with Transom

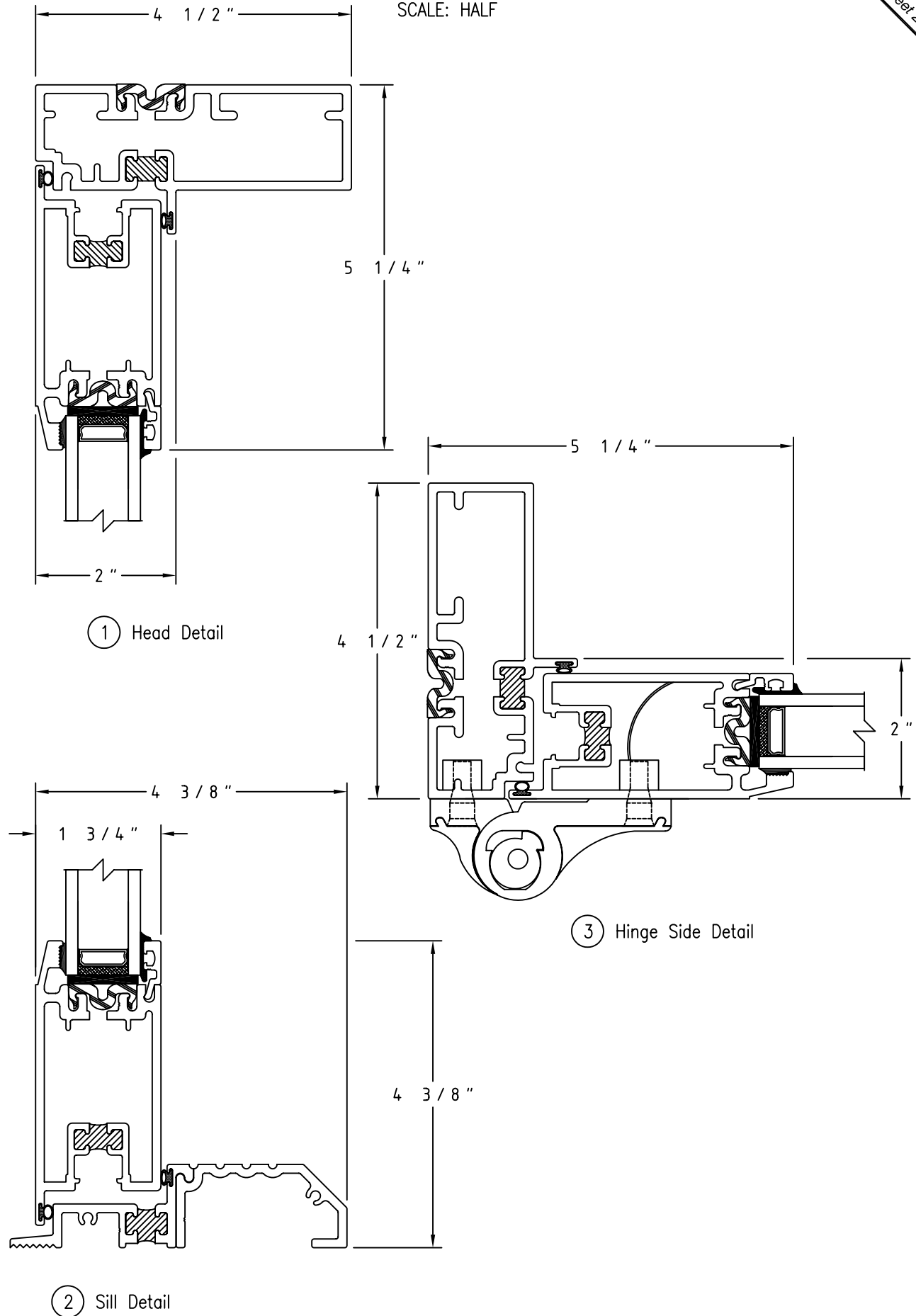


Door with Stationary Panel and Transom

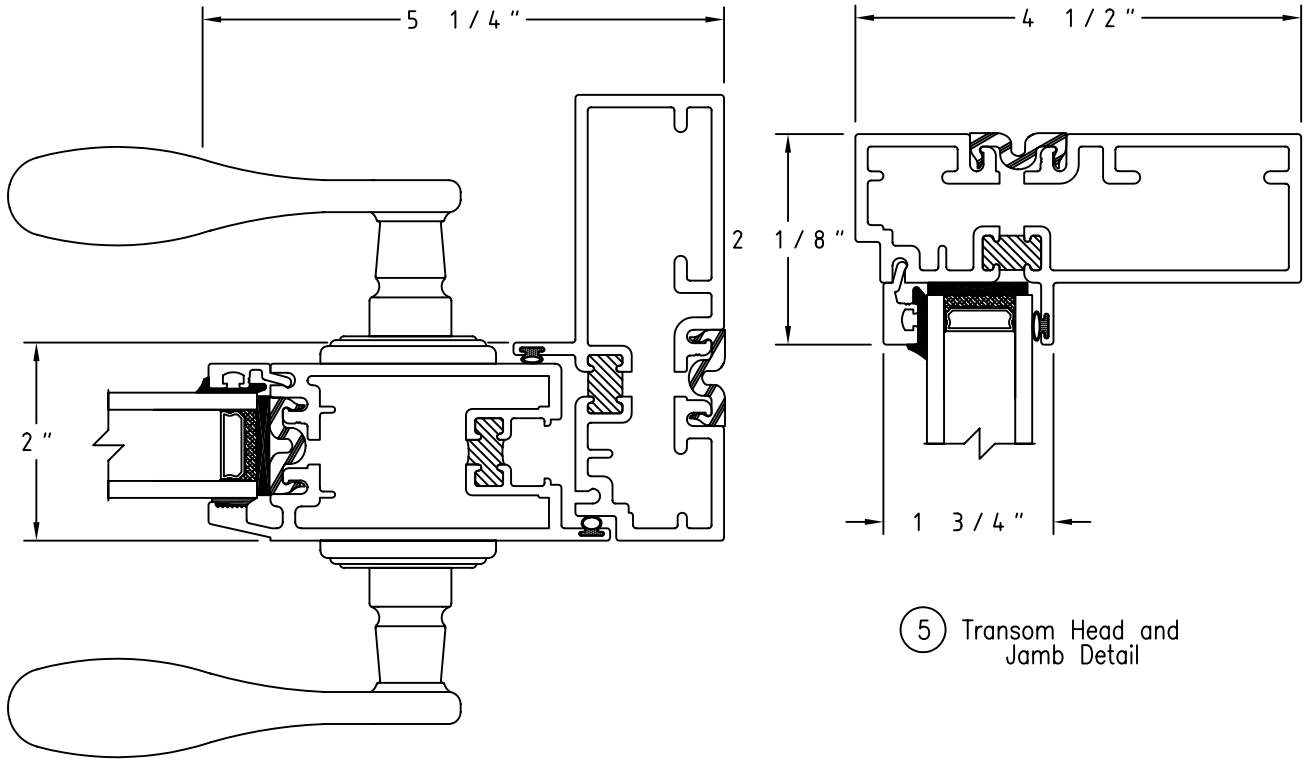
All Elevations are viewed outside looking IN.

Champion Series 400

SCALE: HALF

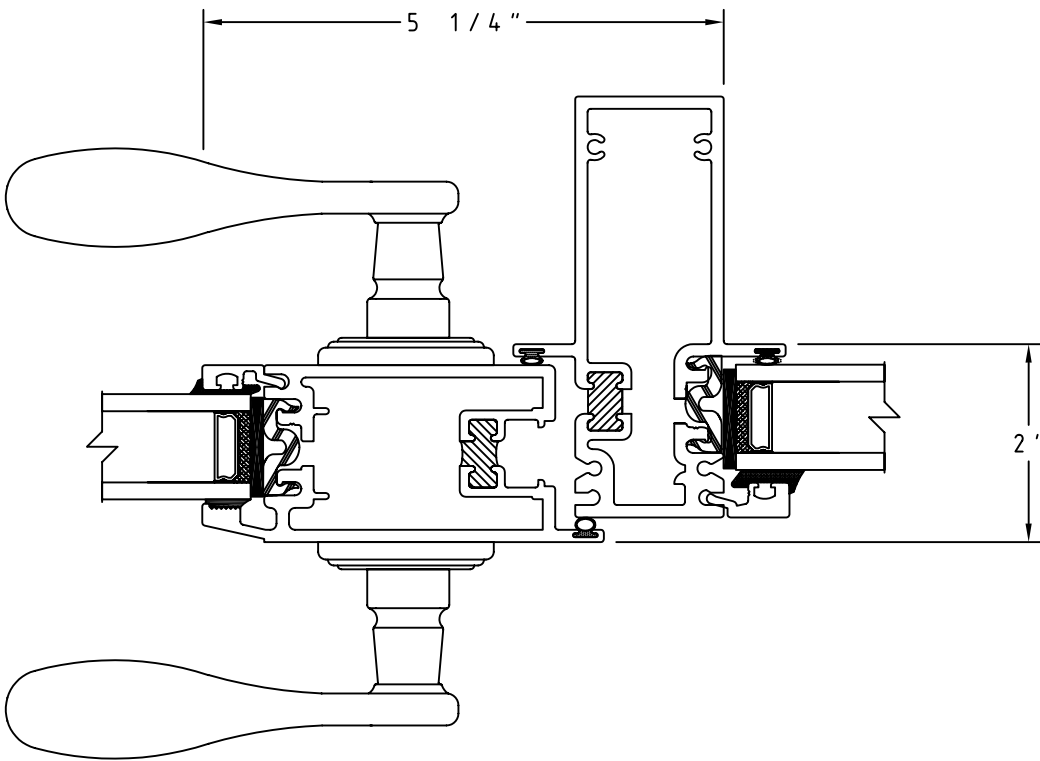


SCALE: HALF



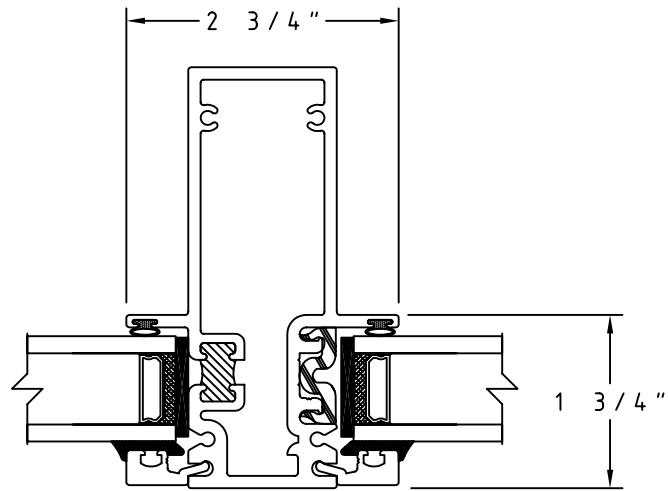
④ Handle Side Detail

⑤ Transom Head and Jamb Detail

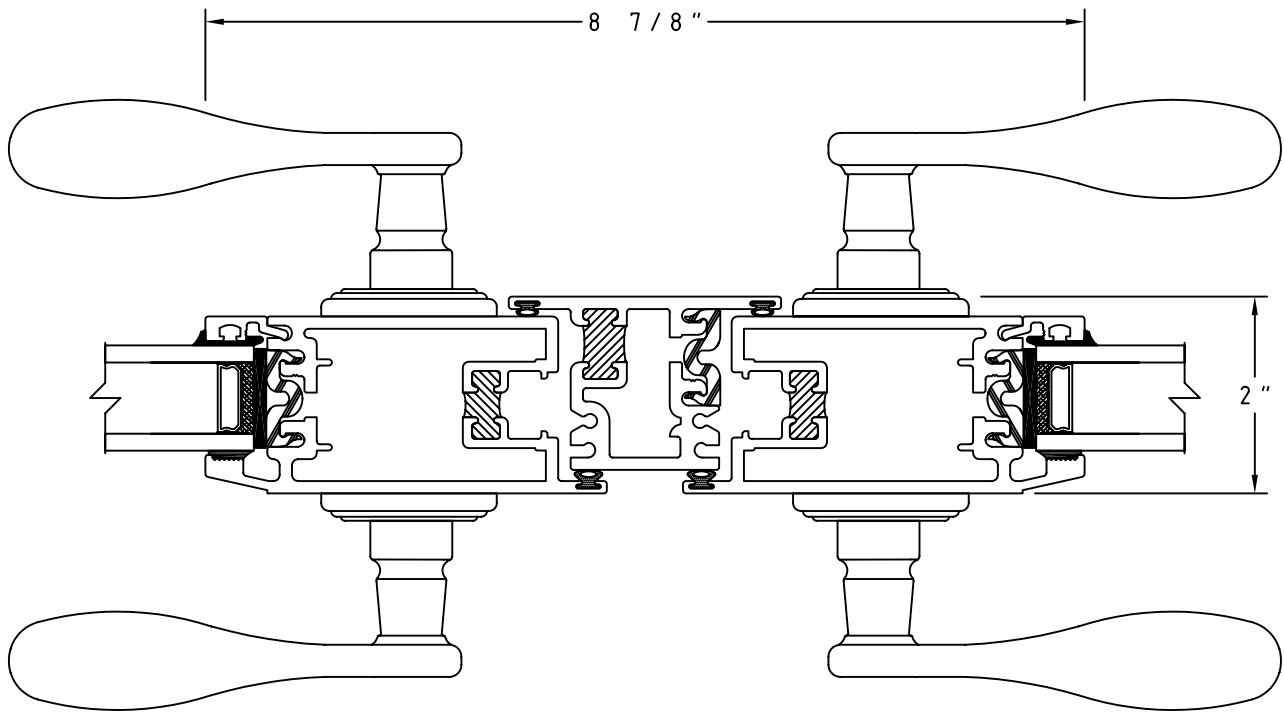


⑥ Door/Side-Lite Mullion Detail

SCALE: HALF

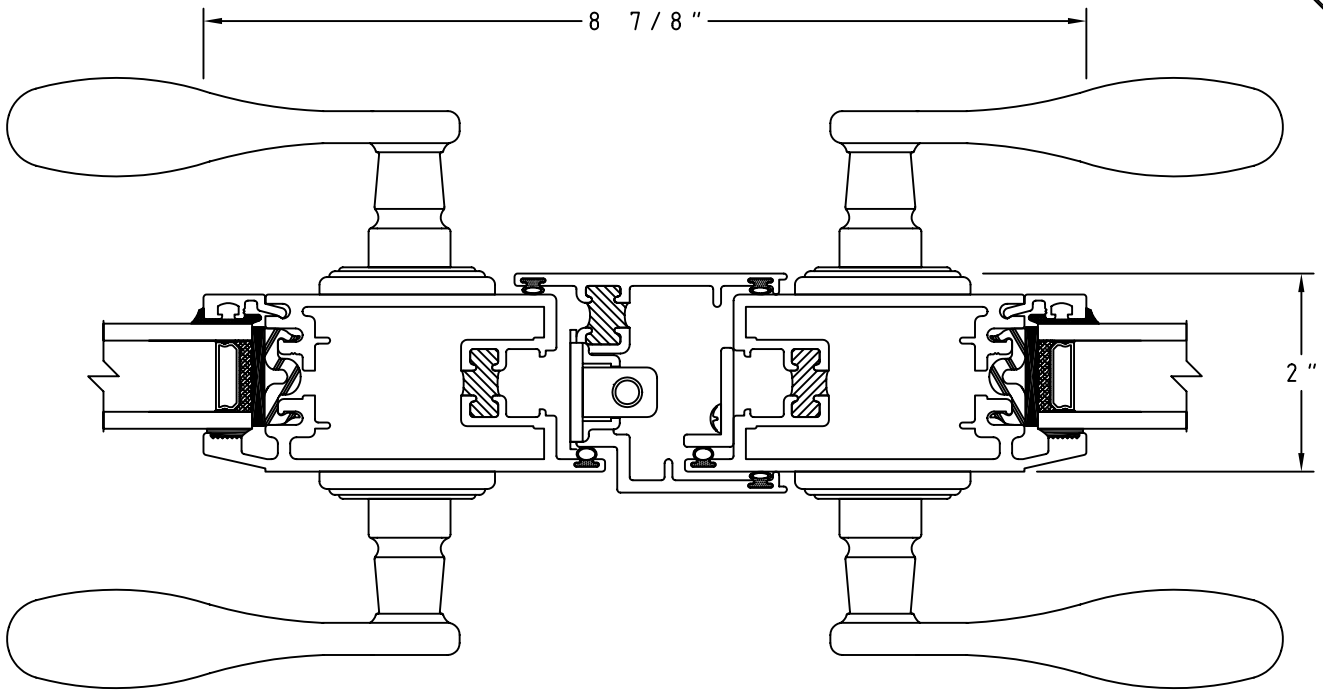


⑦ Transom/Transom Vertical Mullion Detail

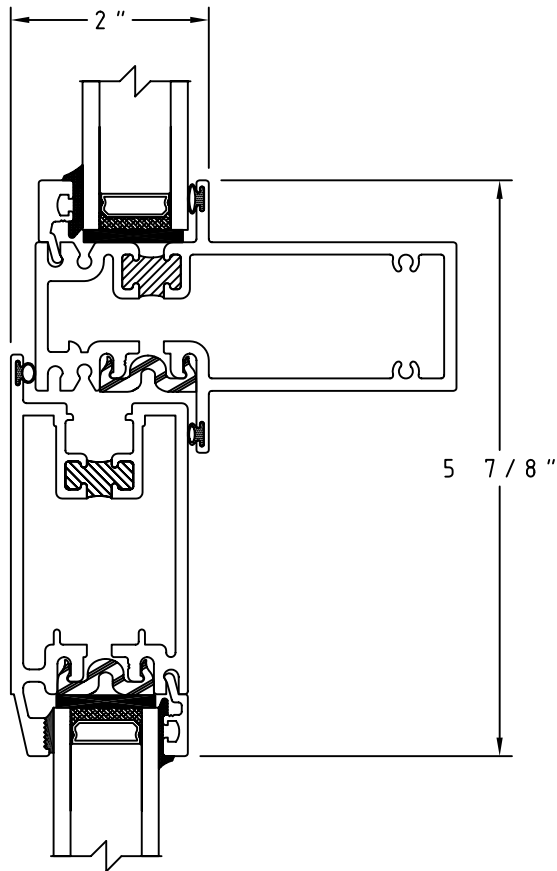


⑧ Double Door Center Post Detail

SCALE: HALF

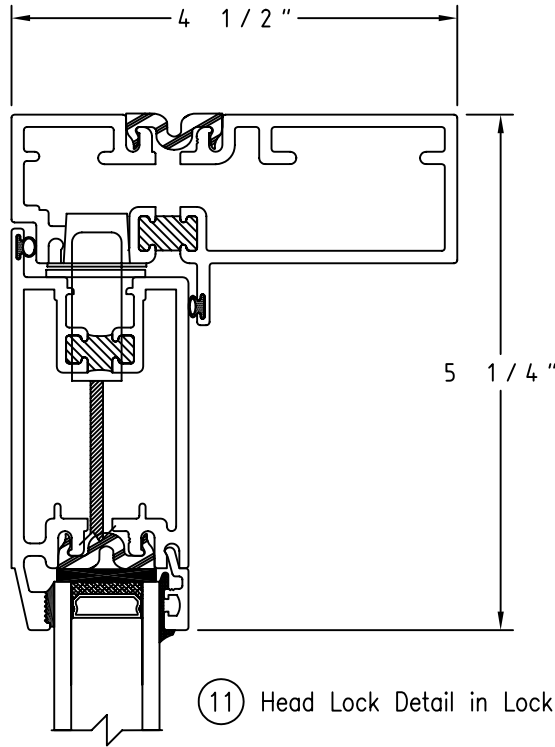


9 Door with Stationary Panel Detail (Non-Stationary)

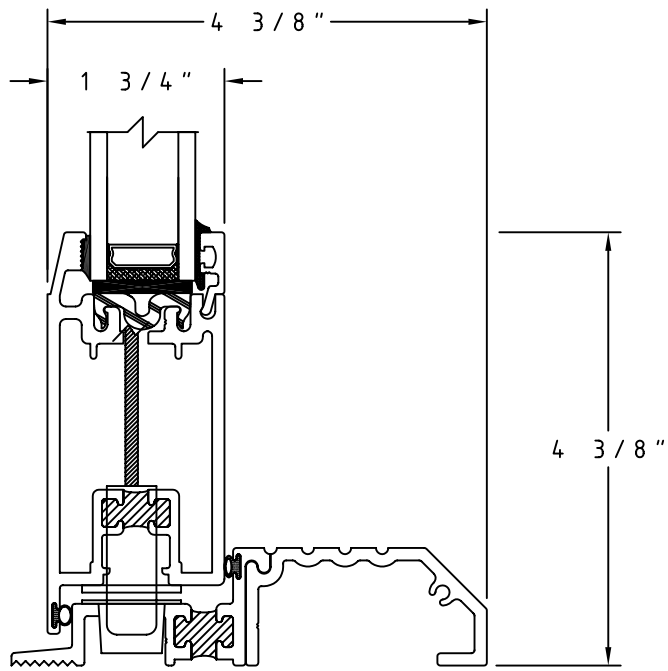


10 Transom above Door Detail

SCALE: HALF



Head Lock Detail in Lock Position



Sill Lock Detail in Lock Position